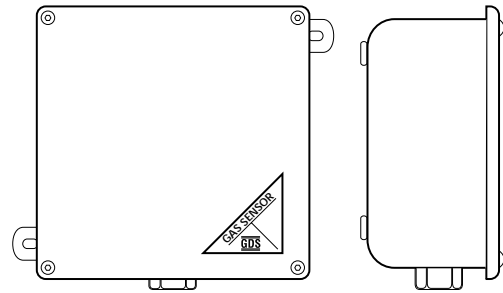
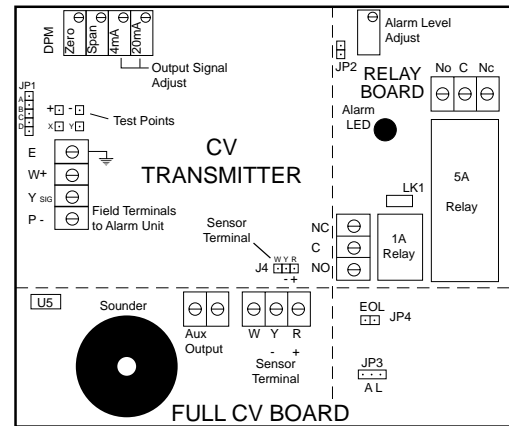


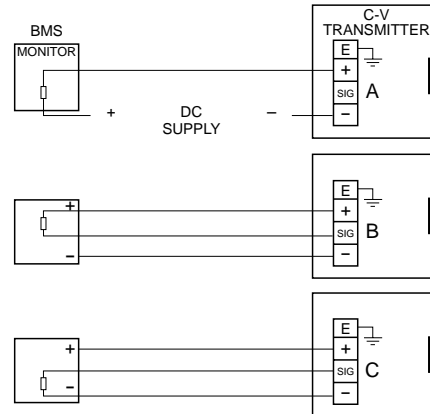
Model:	CV111-042
Sensor Type:	Electrochemical - Carbon Monoxide
Range:	0-250ppm - others available
Output:	Analogue 4-20mA option 1-5v
Operating Voltage:	12 to 30vDC - 24v nominal
Connection:	2 or 3 wire
Ingress Protection:	IP65
Enclosure:	Mild Steel - polyester coated Tamper proof access



Enclosure	
Type:	40J
Ingress Protection:	IP66
Enclosure:	Mild Steel 0.8mm thick polyurethane seal to lid lid fastening - tamper proof
Lid Fastening:	Four SSM4 allen screws
Finish:	Polyester based coating RAL 7032 colour - cream
Entries:	Not specified - top, bottom, sides, rear
Weight:	0.3kg
Dimensions:	142mm x 142mm x 63mm
Mounting:	Two external lugs - 6mm holes Diagonal fixing centres - 175mm
Accessories:	Stand off wall mount bracket Duct Mount probe



Sensor	
Type:	Electrochemical
Range:	0-250ppm others available - 50/500
Max Overload:	2000ppm
Expected operating life:	3 years
Temperature range:	-10 to 50°C
Pressure Range:	Atmospheric ±10%
T90 Response time:	< 25 seconds
Calibration:	Supplied Calibrated



Operational Notes	
CV Transmitter:	
Input voltage	12 to 30vDC - 24v nominal
Output	Analogue 4 - 20mA (250 ohms max) option 1-5v
Options	
Alarm Relays and L.E.D indicator (Red):	
3 wire system only (2 wire if the 4-20mA signal is not used)	
Trip point selectable 10% to full scale	
Signal relay contacts S.P.C.O. rated 1A/24vDC - logic and fire panel signal only.	
Mains relay S.P.C.O. 5A/230vAC.	
Full Board:	
On board sounder. Auxiliary output volts - standard, as input volts (selection by fixed voltage regulator 5, 12 or 15 volts.)	
Digital Panel Meter - gas level display.	

Code CV111 Ordering information - insertion System			
41	Oxygen	CV Transmitter Only (2 wire)	
42	Carbon Monoxide		
43	Hydrogen Sulphide		
44	Sulphur Dioxide		
45	Nitrogen Dioxide		
46	Hydrogen		
47	Chlorine		
48	Hydrogen Cyanide		
49	Nitric Oxide		
50	Hydrogen Chloride		
51	Ammonia		
52	Ozone		
53	Ethylene Oxide		
54	Phosphine		
61	Hydrogen Fluoride		
	R		Alarm Relay + L.E.D. + Sounder
	M	Digital Meter	
	P	Probe - Duct Mount Sensor	
	B	Stand off wall Bracket	
CV111			